

Flamrad 500/700

Gas fired infrared overhead radiant heaters – manual operation (500) and manual & automatic operation (700)

The new Flamrad range from Reznor sets new high standards of manufacture and efficiency in radiant heating. The Reznor Gas Fired Infrared Radiant Heater 500 and 700 Series are ideal for use in many commercial and industrial applications where full or focalised heating is required.

The manual heaters are permanent pilot and operated with a simple lever gas tap and chains. A thermo-electric fail safe device is fitted to protect against failure of the gas supply.

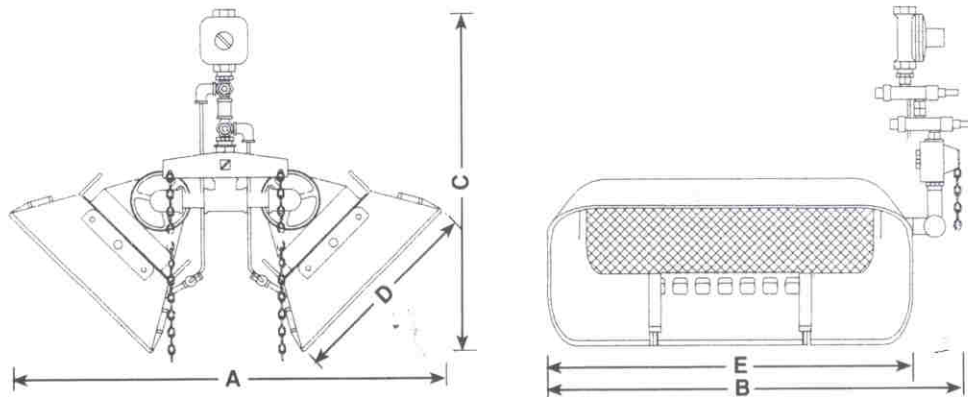
The automatic heaters have spark ignition and flame monitoring. In the event of flame failure, lockout of the appliance ensures complete safety, the unit can be reset by interrupting the mains supply, The automatic heaters lend themselves to control by timeclock, thermostats or energy management systems.

Reznor® *THE NAME FOR WARM AIR*

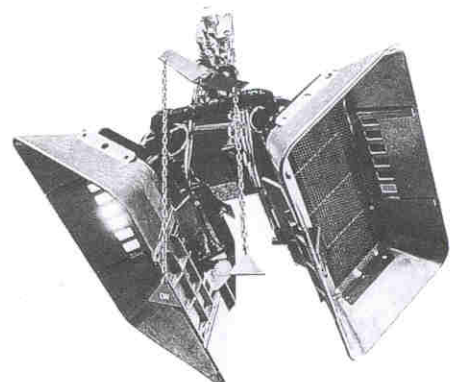
Features

- High radiant efficiency, high emissivity plaques with re-radiation gauze.
- High temperature aluminium reflector, increases emissivity, lightweight, strong and durable.
- Vitreous steel burner, does not rust or corrode, gives longer life than aluminised steel or stainless iron.
- Lightweight, makes it simple to install and maintain, can be suspended from pipework.
- Infrared heat, gives instant directional heat where you want it and does not warm the air, so there is no air movement and circulation of dust, all of which means lower running costs.
- Mounted at high level either overhead or on a wall, releases expensive and often much needed floor space.
- Safety first, all Flamrad heaters have been approved to the stringent safety requirements of the European Gas Appliance Directive and have been granted the C.E. mark.

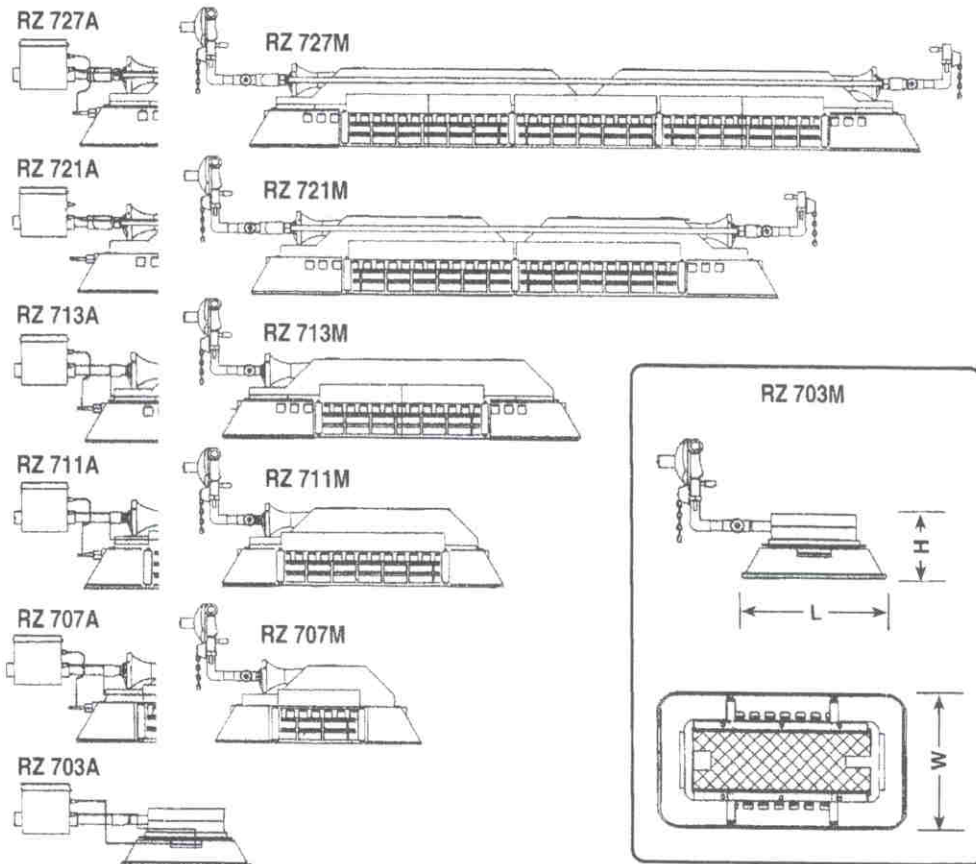
TECHNICAL SPECIFICATIONS – Flamrad 500



| Dimensions | | Model RZ506 | | Model RZ514 | |
|--|---|-------------|---------|-------------|---------|
| Overall Width | A | 470 | | 605 | |
| Overall Length | B | 330 | | 500 | |
| Overall Height | C | 445 | | 480 | |
| Reflector Height | D | 245 | | 280 | |
| Reflector Width | E | 295 | | 500 | |
| | | N Gas | Propane | N Gas | Propane |
| Heat Input kw | | 2 x 3,0 | 2 x 3,5 | 2 x 7,0 | 2 x 7.6 |
| Inlet pressure required mbar no governor supplied for propane | | 20 | 37 | 20 | 37 |
| Weight | | 5,0 | | 12,5 | |
| Mounting Height m ² | | 2,8 - 3,4 | | 3,0 - 4,0 | |
| Area Heated approximate m ² | | 25 | | 50 | |
| Clearance from Combustibles | | | | | |
| Above m | | 1,0 | | 1,0 | |
| Below m | | 1,5 | | 1,8 | |
| Gas Connection Rc | | 1/4" | | 1/2" | |



TECHNICAL SPECIFICATIONS – Flamrad 700

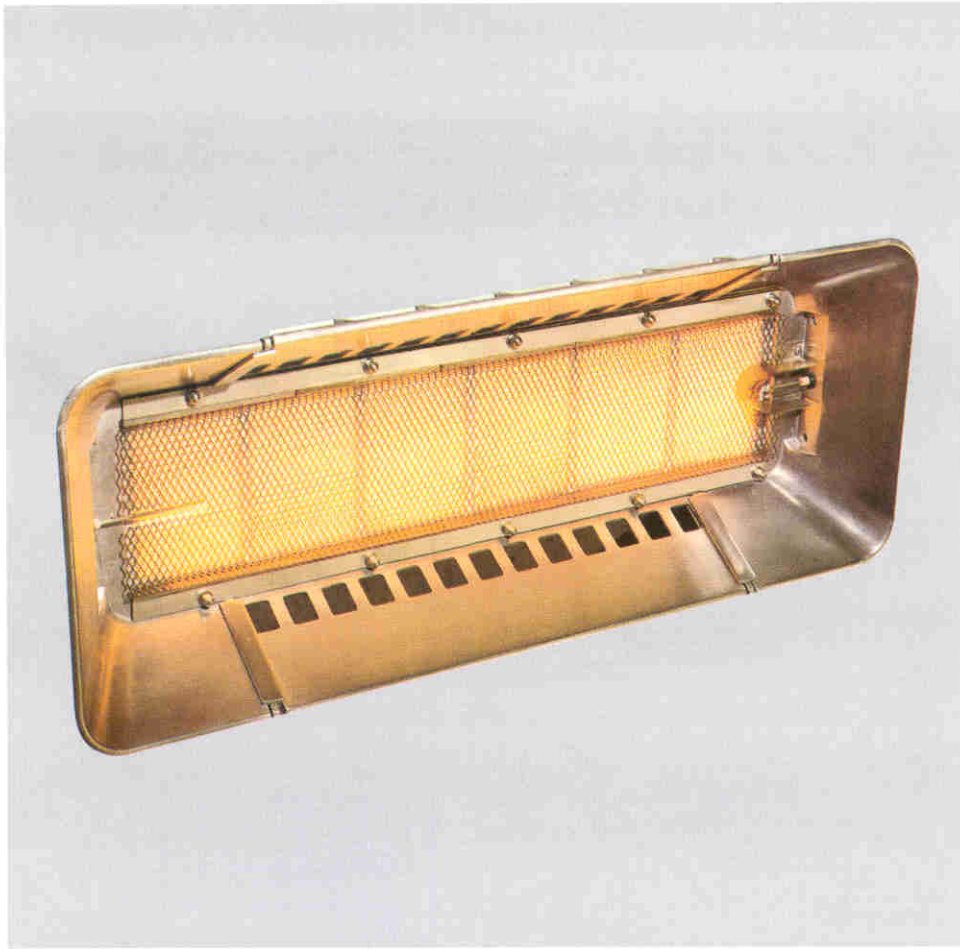


| Model | Heat Input | | Dimensions mm | | | Weight Kg | Inlet Rc Connection | | | Clearances from combustibles mm | | | |
|-------|--------------------|---------|---------------|--|---------|--------------|---------------------|------------|-------|---------------------------------|-------|-------|------|
| | N Gas | Propane | | | | | Manual Heaters | Automatic | | | | | |
| | kW | kW | H | W | L | N Gas | Propane | N Gas/Prop | Above | Behind | Sides | Below | |
| RZ703 | 3,0 | 3,5 | 135 | 245 | 295 | 3,0 | 1/4" | 1/4" | 1/2" | 1000 | 650 | 700 | 1500 |
| RZ707 | 7,0 | 7,25 | 191 | 276 | 505 | 7,0 | 1/2" | 1/4" | 1/2" | 1000 | 650 | 700 | 1500 |
| RZ711 | 10,6 | 11,0 | 191 | 276 | 688 | 9,0 | 1/2" | 1/2" | 1/2" | 1000 | 800 | 800 | 1800 |
| RZ713 | 13,0 | 14,0 | 191 | 276 | 870 | 10,0 | 1/2" | 1/2" | 1/2" | 1000 | 900 | 900 | 2000 |
| RZ721 | 21,0 | 21,5 | 191 | 276 | 1280 | 15,0 | 1/2" | 1/2" | 1/2" | 1000 | 1200 | 1200 | 2000 |
| RZ727 | 27,0 | 29,0 | 191 | 276 | 1638 | 17,0 | 1/2" | 1/2" | 1/2" | 1000 | 1500 | 1200 | 3000 |
| Model | Mounting heights m | | | Average floor coverage - Type of building m ² | | | | | | | | | |
| | 15° | | 45° | Modern | Average | Uninsulated | Spot | | | | | | |
| RZ703 | Not recommended | | 2,2 - 3,2 | 21 | 18 | 14 | 10 | | | | | | |
| RZ707 | Not recommended | | 2,8 - 3,6 | 48 | 41 | 33 | 22 | | | | | | |
| RZ711 | Not recommended | | 4,0 - 4,4 | 73 | 62 | 51 | 34 | | | | | | |
| RZ713 | 4,8 - 5,8 | | 4,2 - 4,9 | 88 | 75 | 61 | 41 | | | | | | |
| RZ721 | 5,8 - 7,6 | | 5,1 - 6,1 | 140 | 113 | 98 | 65 | | | | | | |
| RZ727 | 7,6 - 10,6 | | 6,1 - 7,2 | 183 | 155 | 127 | 85 | | | | | | |

To order please specify Model No. - i.e. A=Auto, M=Manual, N=Natural Gas, P=Propane. Example: RZ707MN, 7kW Heater, Manual Control, Operating on Natural Gas or RZ707AN, 7kW Heater, Automatic Control, Operating on Natural Gas

MANUAL HEATERS: Maximum Inlet Pressure for Natural Gas = 40mb. Propane heaters not supplied with regulator. Electrical Input Non Required Flame Safety Device operates thermo-electrically.

AUTOMATIC HEATERS: Maximum Inlet Pressure = 60mb all models. Gas Pressure Required at heater: Natural Gas = 20mb, Propane = 37mb. Electrical Input = 230V AC 50Hz 13 or 15 amp supply, fused ~ amp. Heater Models RZ721M and RZ727M have Duplex Burners that can be operated independently, the heaters can thus be used HALF-ON, HALF-OFF.



®
R
O
N
e
m

Reznor®



Reznor UK Ltd. Park Farm Road, Folkestone, Kent CT19 5DR Tel: 01303 259141 Fax: 01303 850002
Email- sales@reznor.co.uk Website- <http://www.reznor.co.uk>